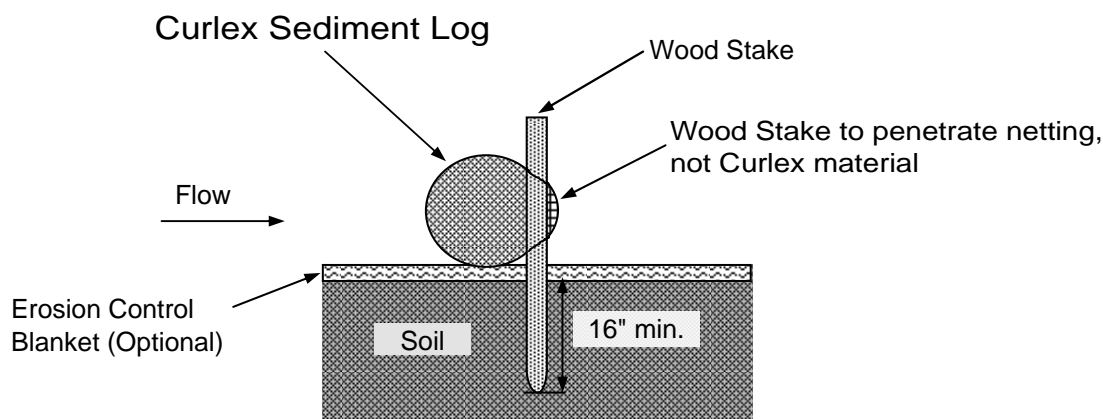
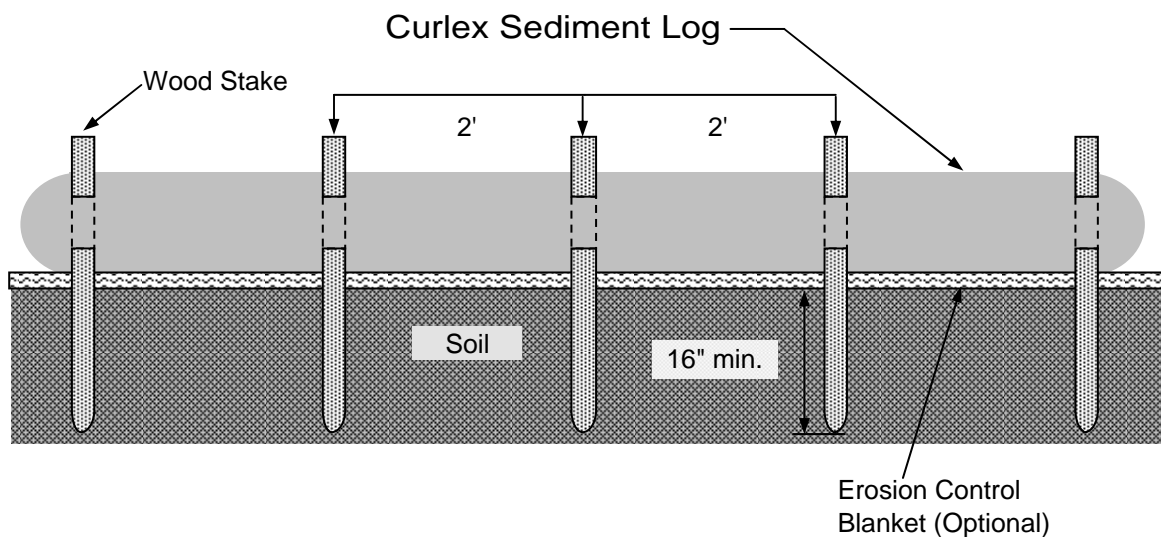




## Curlex® Sediment Log® Staking Pattern Guide



### Notes:

1. Drawing not to scale.
2. Recommended stakes are wooden 1 1/8" wide x 1 1/8" thick by a minimum of 30" long for 6", 9", and 12" Curlex Sediment Logs and 48" long for 20" Curlex Sediment Logs.
3. 6 inch and 9 inch Curlex Sediment Logs may also be anchored with E-Staples®, 1" x 6", U-shaped, 11 gauge wire staples, or 2" x 8", U-shaped, 8 gauge wire staples.